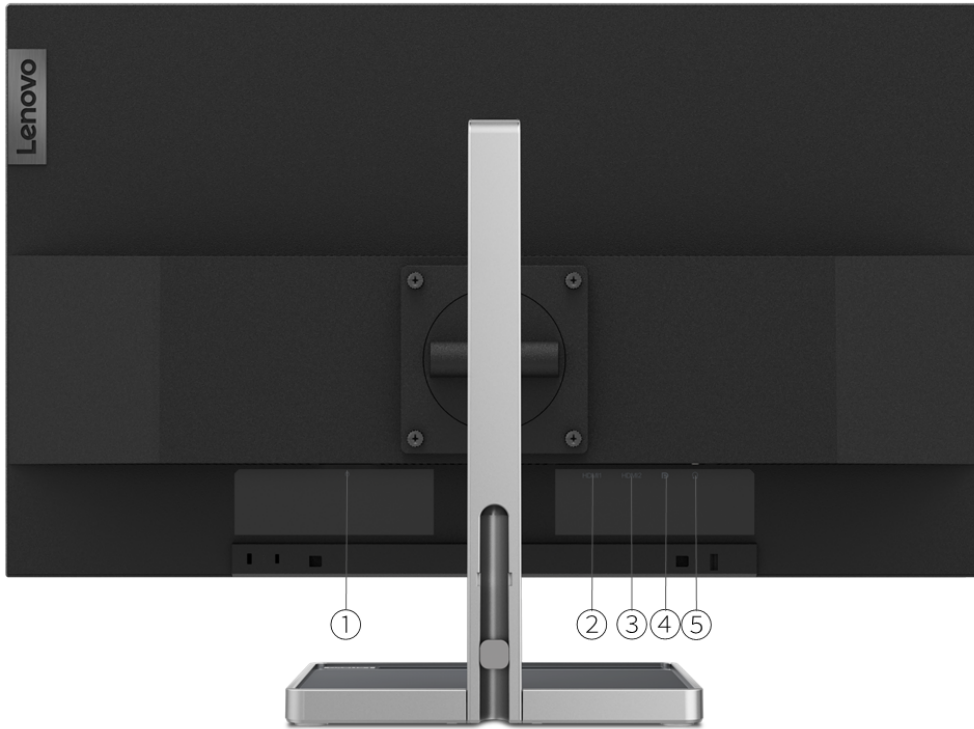


OVERVIEW



1. Power connector	4. DisplayPort
2. HDMI	5. Audio-out (3.5mm)
3. HDMI	

PERFORMANCE

Panel

Panel

3-side NearEdgeless, In-Plane Switching

Backlight

WLED

Display Size

28 inches

Max View Area

WxH: 620.9 × 341.3 mm

Resolution

3840 × 2160

Aspect Ratio

16:9

Pixel Pitch

0.16 × 0.16 mm

Dot / Pixel Per Inch

157 dpi

Brightness

300 cd/m²

Contrast Ratio

- Contrast Ratio: 1000:1
- Dynamic Contrast Ratio (Typical): 3000000:1

View Angle (H / V)

Horizontal: 178°, Vertical: 178°

Response Time

- Extreme Mode: 4 ms
- Normal Mode: 6 ms
- Off Mode: 14 ms

Refresh Rate

60Hz

Color Gamut

- 99% sRGB
- 90% DCI-P3

Color Support

1.07 Billion

Color Depth

10-bit

Screen Surface Treatment

Anti-glare

Operating System

Operating System

- Windows® 11 Support
- Windows® 10 Support
- Windows® 7 Support

Multi-Media

Speakers

Integrated Speakers, 2W x2

Power Supply

Power Consumption

- Typical / Max: 30W / 50W
- Sleep / Off mode: <0.5W
- Switch-off Mode: <0.3W
- Internal Power Supply

Voltage Required

AC 100 to 240 V (50-60Hz)

Special Features

Special Features

- HDR10 Compliance
- AMD FreeSync™
AMD FreeSync™ technology only can work with AMD Radeon™ series graphics card.
- Natural Low Blue Light

DESIGN

Mechanical

ThinkCentre® M Series Support

ThinkCentre® M Series Tiny, ThinkCentre® M Series Nano

For supporting Tiny / Nano devices, additional Tiny / Nano VESA Mount Kits (PN: 4XFON03161) / (PN: 4XFOV81630) are needed (sold separately).

Bezel Width

- Side: 2mm
- Top / Bottom: 2mm / 22.8mm

Cable Management

Support

Case Color

Raven black

Dimensions (WxDxH)^[1]

Models	Dimensions
Head Only	636.9 x 48.9 x 373.7 mm (25.07 x 1.93 x 14.71 inches)
Highest Position	636.9 x 215.0 x 569.3 mm (25.07 x 8.46 x 22.41 inches)
Lowest Position	636.9 x 215.0 x 419.3 mm (25.07 x 8.46 x 16.51 inches)

Packaging Dimensions (WxDxH)

744 x 170 x 489 mm (29.29 x 6.69 x 19.25 inches)

Weight^[2]

Models	Weight
Monitor With Stand	6.6 kg (14.5 lbs)
Monitor Head Only	4.6 kg (10.1 lbs)

Packaging Weight

10.1 kg (22.27 lbs)

Mounting

Supports VESA mount 100mm

Stand

Supports -5° to +22° tilt, left & right 360° swivel, -90° to +90° pivot, up to 150mm lift

In the Box

- Monitor with Stand
- 1x HDMI® Cable (1.8m)
- 1x Power Cable (1.8m)
- Quick Setup Guide

Notes:

[1] The system dimensions may vary depending on configurations.

[2] The system weight is approximate and based on results in Lenovo® lab, which varies depending on the source of component, variance of the distribution of each component, and manufacturing process. It may not be the exact weight for each specific model.

CONNECTIVITY

Ports^[1]

Rear Ports

- 2x HDMI® 2.0
- 1x DisplayPort™ 1.4
- 1x audio-out (3.5mm)

Notes:

[1] The transfer speed of following ports will vary and, depending on many factors, such as the processing speed of the host device, file attributes and other factors related to system configuration and your operating environment, will be slower than theoretical speed.

USB 2.0: 480 Mbit/s;

USB 3.2 Gen 1 (SuperSpeed USB 5Gbps, formerly USB 3.0 / USB 3.1 Gen 1): 5 Gbit/s;

USB 3.2 Gen 2 (SuperSpeed USB 10Gbps, formerly USB 3.1 Gen 2): 10 Gbit/s;

USB4® 20Gbps / USB 3.2 Gen 2x2 (SuperSpeed USB 20Gbps): 20 Gbit/s;

USB4® 40Gbps (USB 40Gbps): 40 Gbit/s;

Thunderbolt™ 3/4: 40 Gbit/s.

SECURITY & PRIVACY

Security

Physical Locks

Kensington® Security Slot™

SERVICE

Warranty

Base Warranty

- 1-year courier or carry-in service
- 3-year limited warranty

CERTIFICATIONS

Green Certifications^[1]

Green Certifications

- ENERGY STAR® Certified
- RoHS compliant
- TCO Certified 9.0
- TCO edge 2.0

Notes:

[1] The items listed under the "Green Certifications" section may not only refer to certification but also registration or self-declaration. For ESG & regulatory compliance documents, please visit <https://compliance.lenovo.com>.

Other Certifications

Other Certifications

- Eyesafe® Certified
- TÜV Rheinland® Eye Comfort Certification
- TÜV Rheinland® Low Blue Light (Hardware Solution)

- Lenovo reserves the right to change specifications or other product information without notice. Lenovo is not responsible for photographic or typographical errors. LENOVO PROVIDES THIS PUBLICATION “AS IS,” WITHOUT WARRANTY OF ANY KIND, EITHER EXPRESS OR IMPLIED, INCLUDING THE IMPLIED WARRANTIES OF MERCHANTABILITY OR FITNESS FOR A PARTICULAR PURPOSE. Some jurisdictions do not allow disclaimer of express or implied warranties in certain transactions, therefore this disclaimer may not apply to you.
- The specifications on this page may not be available in all regions, and may be changed or updated without notice.

